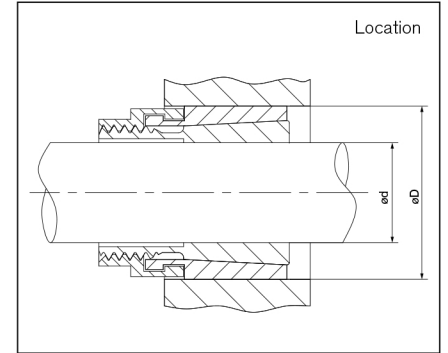
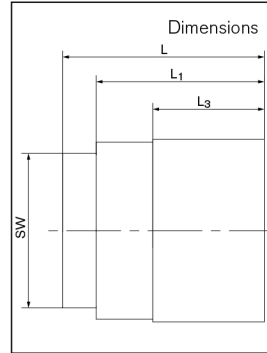
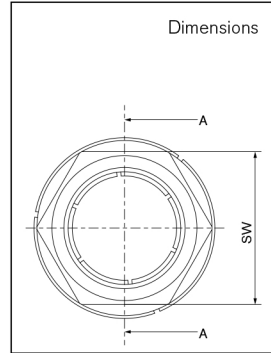


RINGFEDER® Locking Assemblies with central lock nut

RfN 7070



Basic dimensions when screws are not tightened			
d	= Inner diameter	SW	= Wrench size
D	= Outer diameter	T	= Transmissible torque at given T_A
L	= Overall length	F_{ax}	= Transmissible axial force
L₁	= Overall length without clamping nut	PN	= Surface pressure on hub at given T_A
L₃	= Width of inner ring	T_A	= Max. tightened torque of the screws
		Gw	= Weight

Locking Assembly dimensions			Wrench size			Transmissible torques or axial forces		Surface pressure Hub	Locking nut		
d	x	D	L	L ₁	L ₃	SW	T	F _{ax}	PN	T _A	Gw
mm			mm				Nm	kN	N/mm ²	Nm	kg
5	x	16	19	16	9,5	13	10	4	110	18	0,014
6	x	16	19	16	9,5	13	13	4,3	110	18	0,013
7	x	20	22	19	11	16	13	3,7	65	20	0,028
8	x	20	22	19	11	16	15	3,75	65	20	0,027
9	x	20	22	19	11	16	18	4	65	20	0,026
10	x	23	25,5	20,5	12,5	19	23	4,6	55	25	0,042
11	x	23	25,5	20,5	12,5	19	25	4,5	55	25	0,041
12	x	23	25,5	20,5	12,5	19	28	4,6	55	25	0,04
14	x	26	28,5	23,5	16	22	46	6,6	64	50	0,056
15	x	26	28,5	23,5	16	22	49	6,59	64	50	0,055
16	x	26	28,5	23,5	16	22	52	6,5	64	50	0,054

Ordering example: RfN 7070

Type	d	D
RfN 7070	10	23

Technical Information

- Surface finishes: Shaft and hub bores $R_a \leq 1,6 \mu m$
- Tolerances: Shaft: h8 · Hub: H8

Subject to technical change.